

SERVICE PARTS LIST FOR MITSUBISHI ELECTRIC PACKAGED AIR-CONDITIONERS

Series : PUHY-HP·YHM-A(-BS)

For use with the R410A

Feb. 2009

BWE08170

INDEX

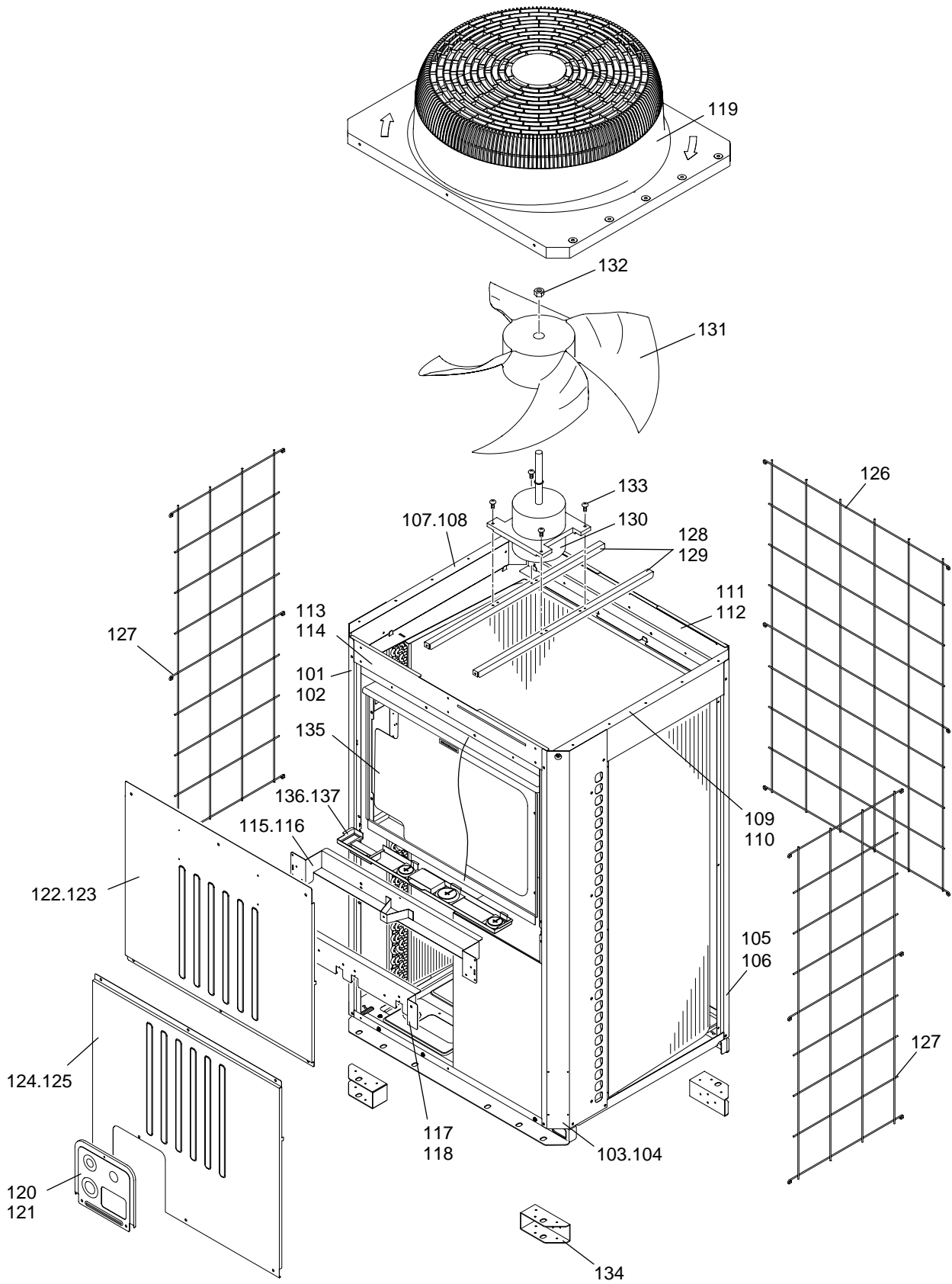
PUHY-HP200YHM-A
PUHY-HP200YHM-A-BS
PUHY-HP250YHM-A
PUHY-HP250YHM-A-BS

The Package name list

PUHY-HP400YSHM-A(-BS)	[PUHY-HP200YHM-A(-BS) + PUHY-HP200YHM-A(-BS)]
PUHY-HP500YSHM-A(-BS)	[PUHY-HP250YHM-A(-BS) + PUHY-HP250YHM-A(-BS)]

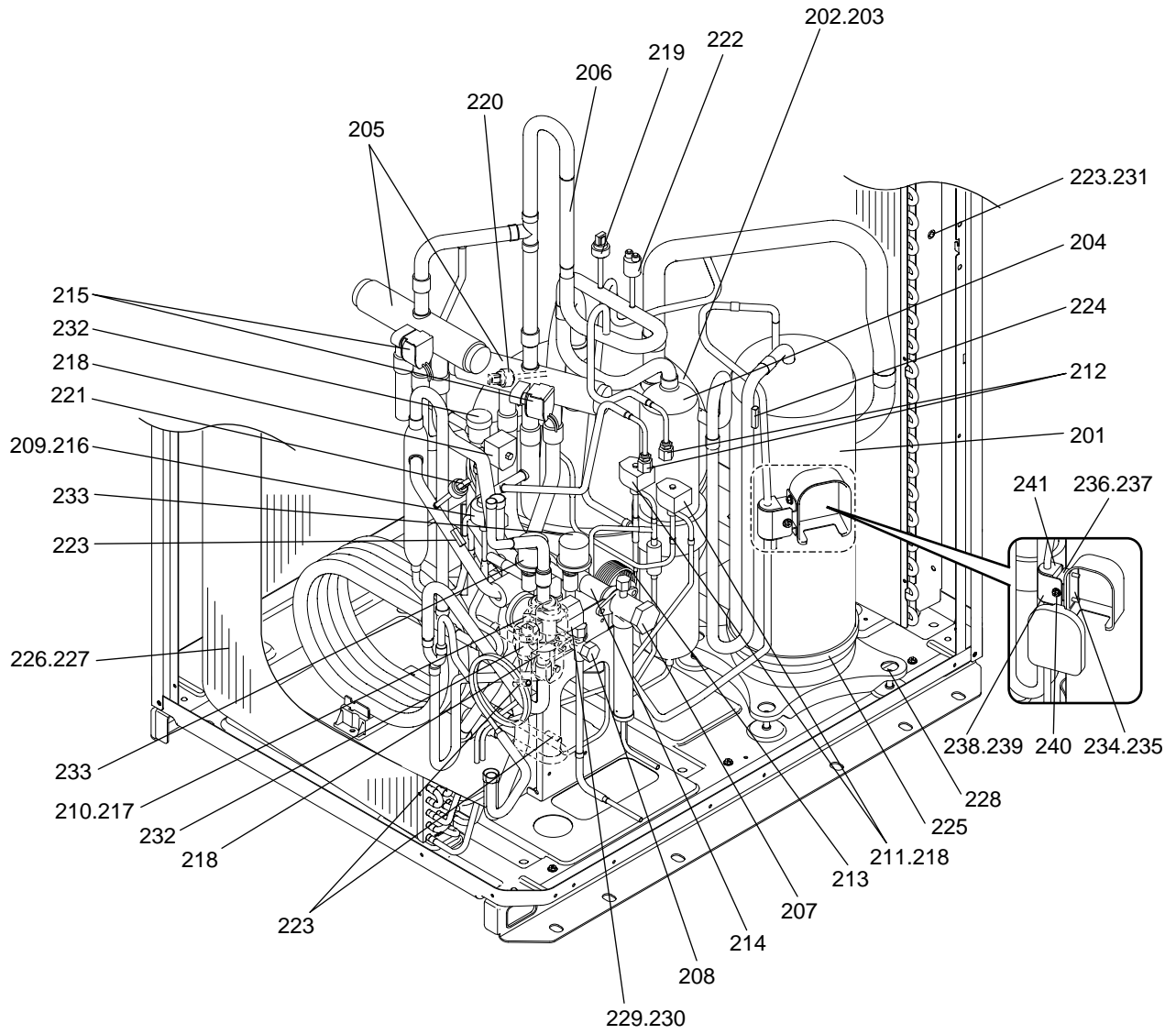
PUHY-HP200YHM-A(-BS)
PUHY-HP250YHM-A(-BS)

EXTERNAL PARTS & BLOWER PARTS



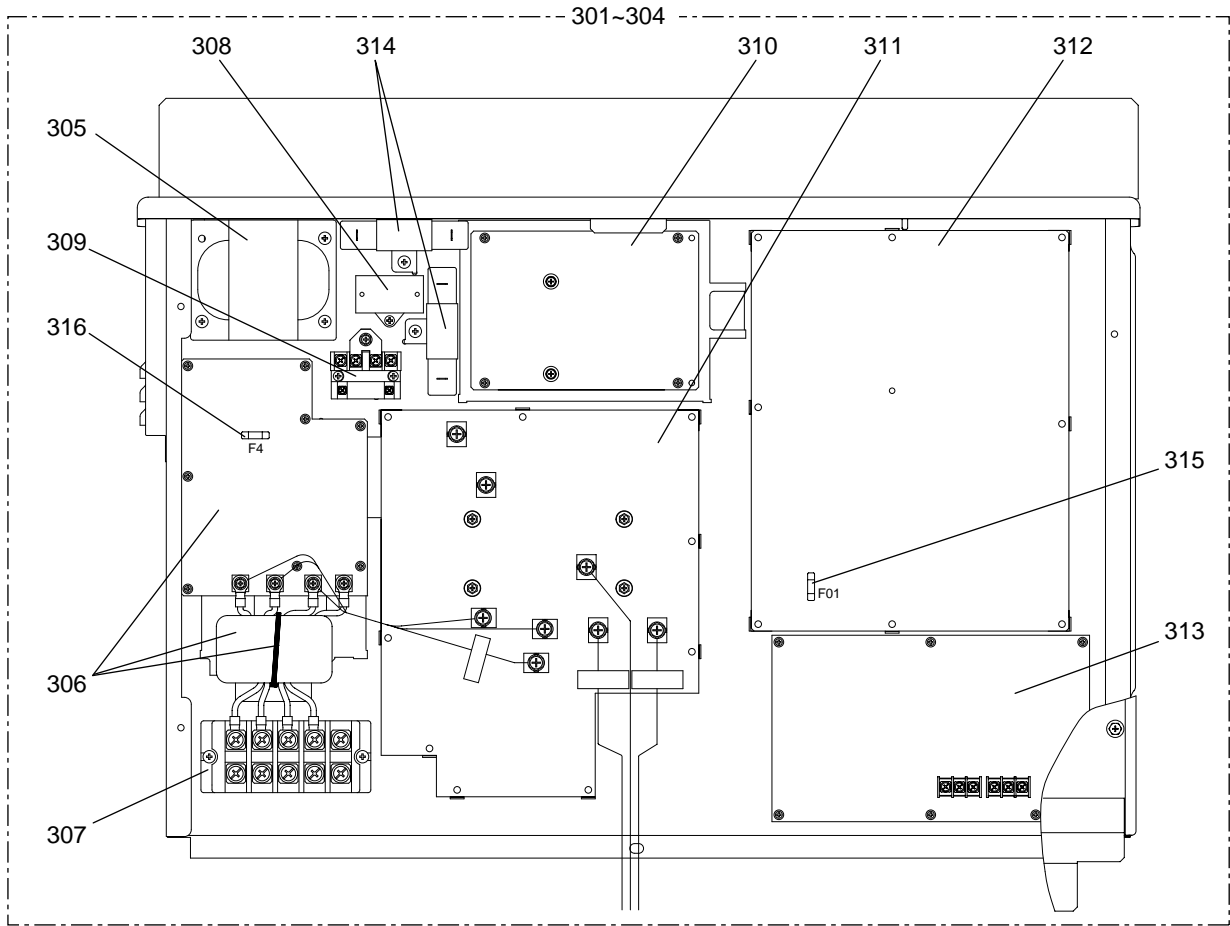
PUHY-HP200YHM-A(-BS)
PUHY-HP250YHM-A(-BS)

FUNCTIONAL PARTS



PUHY-HP200YHM-A(-BS)
 PUHY-HP250YHM-A(-BS)

CONTROL BOX PARTS



No.	Part No.	G : RoHS Apply Only W: RoHS Apply by Running Change		Spec.	PUHY-HP200YHM-A	PUHY-HP200YHM-A-BS	PUHY-HP250YHM-A	PUHY-HP250YHM-A-BS	Dwg. No.	Price	Revision History
			Part Name								
301	R61 178 305	G	Control box	HP200YHM	1				KE80C152G69		
302	R61 179 305	G	Control box	HP200YHM BS		1			KE80C152G70		
303	R61 180 305	G	Control box	HP250YHM			1		KE80C152G71		
304	R61 181 305	G	Control box	HP250YHM BS				1	KE80C152G72		
305	R61 010 259	G	Reactor	<DCL>	1	1	1	1	P715439X02		
306	R61 003 293	G	Noise filter	<Noise Filter,L>	1	1	1	1	KE80C155G01		
307	R61 007 246	G	Terminal block	<TB1>	1	1	1	1	S436005H12		
308	R61 001 255	G	Capacitor assy	<C100>	1	1	1	1	KE00D263G01		
309	R61 003 216	G	Relay	<72C>	1	1	1	1	P421295X01		
310	R61 037 280	G	FAN board		1	1	1	1	W652171G07		
311	R61 039 280	G	INV board		1	1	1	1	KE80C154G02		
312	R61 093 280	G	Control board		1	1	1	1	KE80C153G25		
313	R61 012 281	G	M-NET board		1	1	1	1	KE80C055G03		
314	R61 001 234	G	Resistor	<R1>,<R5>	2	2	2	2	P411151X01		
315	R63 992 964	G	Fuse	3.15A AC250V T	1	1	1	1	S423001H29		
316	R63 993 964	G	Fuse	6.3A AC250V T	1	1	1	1	S423001H30		

